
TECHNICAL DATA SHEET

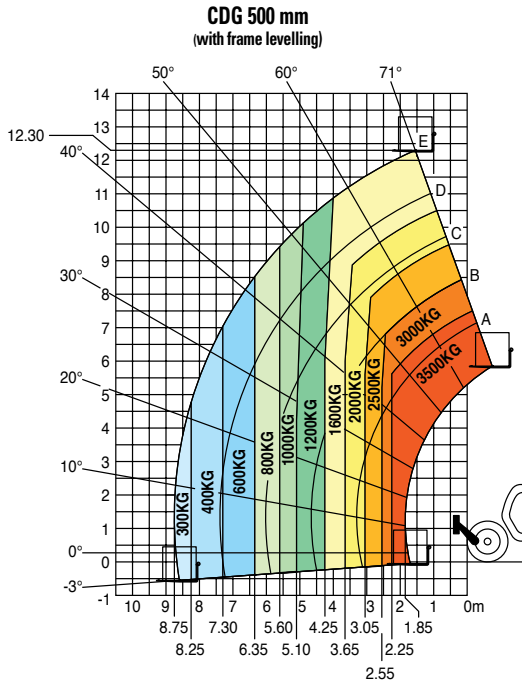
MT 1335
Manitou Telescopic



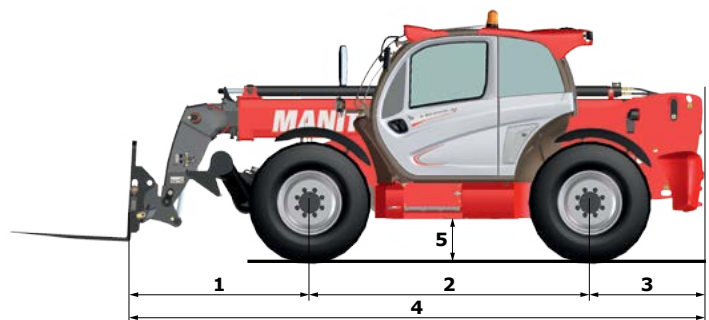
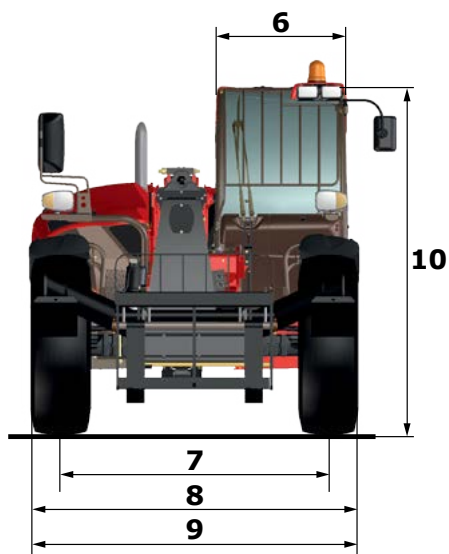
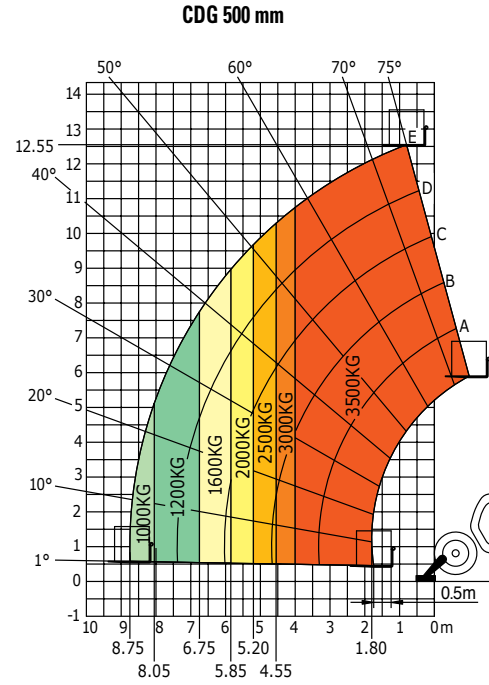
MT 1335	
Lifting	
Max. capacity	3500 kg
Max. lifting height	12.55 m
Max. outreach	8.75 m
Break-out-force with bucket (Iso 8313)	6400 daN
Unladen time	
Lifting	10.0 s
Lowering	8.5 s
Extension	14.5 s
Retraction	10.0 s
Crowd	4.0 s
Dump	4.0 s
Tyres	400 / 80 -24
Braking	
Service brake	oil immersed multi-disc braking
Parking brake	automatic negative parking brake
Engine	
PERKINS - STAGE 4 - FINAL TIER 4	
Type	854F-E34TA
Power	100 HP / 75 kW
Max torque	430 Nm
Injection	direct
Cooling	water
Laden drawbar pull	9800 daN
Transmission	
torque converter	
Reversing shift	electrohydraulic control
Number of gears (forward/reverse)	4/4
Drive wheels	4 wheel drive
Steering mode	4 wheel steer - 3 steering modes
Max. travel speed (may vary according to applicable regulations)	25 or 35 kph
Hydraulics	
Pump	gear type with priority valve 125 l/min – 270 bar
Capacities	
Hydraulic oil	125 l
Fuel	120 l
Unladen weight (with forks)	9200 kg
Dimensions	
1. Front wheel centre to carriage	1.80 m
2. Wheelbase	2.88 m
3. Rear wheel centre to rear face	1.18 m
4. Overall length to carriage	5.86 m
5. Ground clearance	0.42 m
6. Overall width of cab	0.88 m
7. Inside tyre width	1.87m
8. Overall width	2.28 m
9. Overall width (stabilizers lowered)	2.28 m
10. Overall height	2.42 m
Turning radius (over tyres)	3.65 m
Carriage rotation (crowd / dump)	12° / 114°
Standard forks (length x width x thickness)	1200 x 125 x 45 mm
Frame levelling	in standard
Controls	JSM [®] (Multi-function joystick)
Safety	Load limiter cut off system - EN 15000 norm ROPS / FOPS level II standard cab
Noise and vibration	
Noise at driving position (LpA)	78 dB
Environmental noise (LwA)	103 dB
Vibration to whole hand/arm	<2.50 m/s ²

Rough terrain load chart Standard EN 1459B

Machine with forks on tyres



Machine with forks on stabilizers



Your MANITOU dealer



Head office :

B.P. 249 - 430 rue de l'Aubinière - 44158 Ancenis Cedex - France

Phone.: +33 (0)2 40 09 10 11 - Fax: +33 (0)2 40 09 10 97

www.manitou.com

