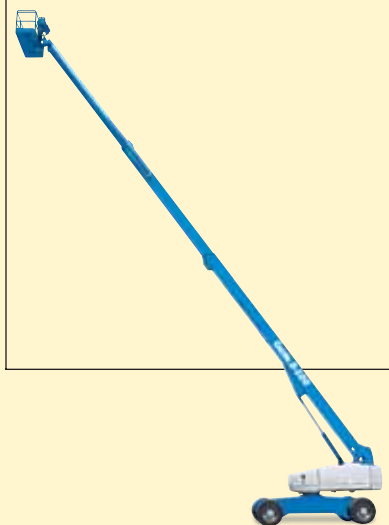




Self-Propelled Telescopic Boom

S-100/105

- Four-wheel drive and outstanding maneuverability get the tough jobs done.



S-100/105

S-100

- 106 ft (32.5 m) working height
- Industry-leading outreach of 75 ft (22.9 m)
- 750 lb (340 kg) lift capacity

S-105

- 111 ft (34 m) working height
- Industry-leading outreach of 80 ft (24.4 m)
- 500 lb (227 kg) lift capacity on the S-105

Standard Features

- Four-wheel drive with four-wheel brakes
- Extendable axles, operated from platform
- Three diesel engine options
- 8 ft (2.44 m) steel platform
- Fully proportional platform controls with ramp up/down feature
- Hydraulic platform rotation
- 360° continuous turntable rotation

- 12V DC auxiliary power
- Closed-loop hydrostatic drive
- Positive traction drive
- Drive enable system
- Self-leveling platform
- Onboard full diagnostics
- Anti-restart engine protection
- Auto engine fault shutdown
- Hydraulic oil cooler
- Engine monitoring display
- AC wiring to platform
- Foam-filled tires
- Alarm package

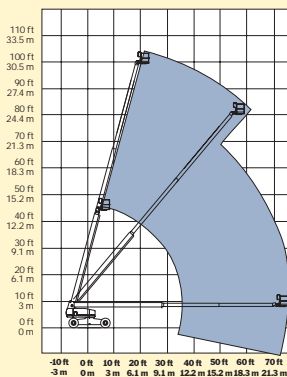
Options and Accessories

- Cold start packages
- 3500 watt AC generator
- Platform swing gate
- Air line to platform
- Weld lead to platform
- Platform rail pinch guard
- Platform work lights
- Hostile environment packages
- Diesel scrubber muffler
- Platform control box cover
- Tool tray
- Driving lights

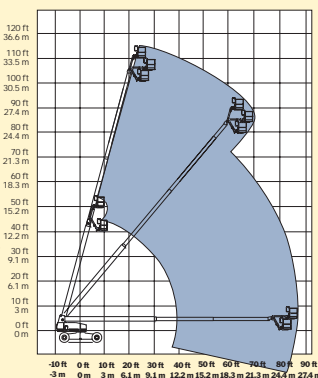
Standards Compliance

- ANSI/SIA A92.5
- CAN3-B354.4-M82
- CE compliance option
- AS 1418.10

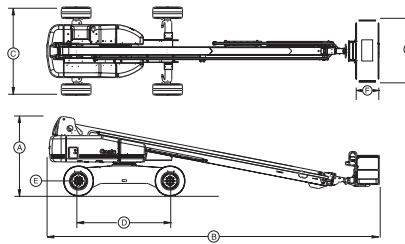
Range of Motion S-100



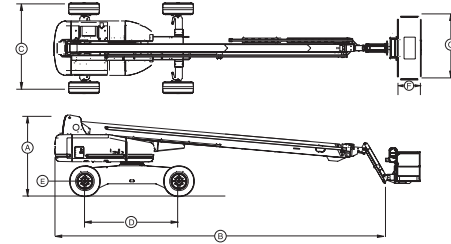
S-105



S-100



S-105



Specifications

Model	S-100		S-105	
	US	Metric	US	Metric
Working height*	106 ft	32.5 m	111 ft	34 m
Platform height	100 ft	30.5 m	105 ft	32 m
(A) Height – stowed	10 ft 1 in	3.07 m	10 ft 1 in	3.07 m
(B) Length – stowed	42 ft 8 in	13 m	46 ft	14 m
Length – transport (jib tucked underneath)	39 ft 11 in	12.17 m	39 ft 11 in	12.17 m
Width – retracted axles	8 ft 2 in	2.49 m	8 ft 2 in	2.49 m
(C) Width – extended axles	11 ft	3.35 m	11 ft	3.35 m
(D) Wheelbase	12 ft	3.66 m	12 ft	3.66 m
(E) Ground clearance	15 1/2 in	39 cm	15 1/2 in	39 cm
(F) Platform length	36 in	91 cm	36 in	91 cm
(G) Platform width	96 in	2.44 m	96 in	2.44 m
Horizontal reach max	75 ft	22.9 m	80 ft	24.4 m
Lift capacity	750 lb	340 kg	500 lb	227 kg
Turning radius – outside extended axles, 2-wheel steer	23 ft 10 in	7.26 m	23 ft 10 in	7.26 m
Turning radius – inside extended axles, 2-wheel steer	14 ft	4.27 m	14 ft	4.27 m
Turntable rotation	360° continuous		360° continuous	
Turntable tailswing retracted axles	5 ft 6 in	1.68 m	5 ft 6 in	1.68 m
Turntable tailswing extended axles	48 in	1.22 m	48 in	1.22 m
Power source	Cummins 4B3.9 diesel 75 hp (56 kw) Deutz F4L 913 diesel 77 hp (57 kw) Perkins 1004-42 diesel 81 hp (60 kw)			
Controls	proportional		proportional	
Platform rotation	160° hydraulic		160° hydraulic	
Auxiliary power unit	12V DC		12V DC	
Tires	15 x 22.5, 18 pr, FF		15 x 22.5, 18 pr, FF	
Hydraulic tank capacity	55 gal	208 litre	55 gal	208 litre
Fuel tank capacity	40 gal	151 litre	40 gal	151 litre
Drive speed, stowed	3 mph	4.8 km/h	3 mph	4.8 km/h
Gradeability, stowed	42%		42%	
Weight**	39,700 lb	18,008 kg	40,000 lb	18,144 kg

* The metric equivalent of working height adds 2 m to platform height. U.S. adds 6 ft to platform height
** Weight will vary depending on options and/or country standards.

Distributed By:

Genie Industries

GENIE UNITED STATES

18340 NE 76th Street
P.O. Box 97030
Redmond, Washington 98073-9730
Telephone (425) 881-1800
Toll Free in USA/Canada 800-536-1800
Fax (425) 883-3475
<http://www.genieindustries.com>

GENIE UNITED KINGDOM

The Maltings, Wharf Road
Grantham
Lincolnshire NG31 6BH
England
Telephone: +44 (0)1476 584333
Fax: +44 (0)1476 584334
<http://www.genieindustries.com>